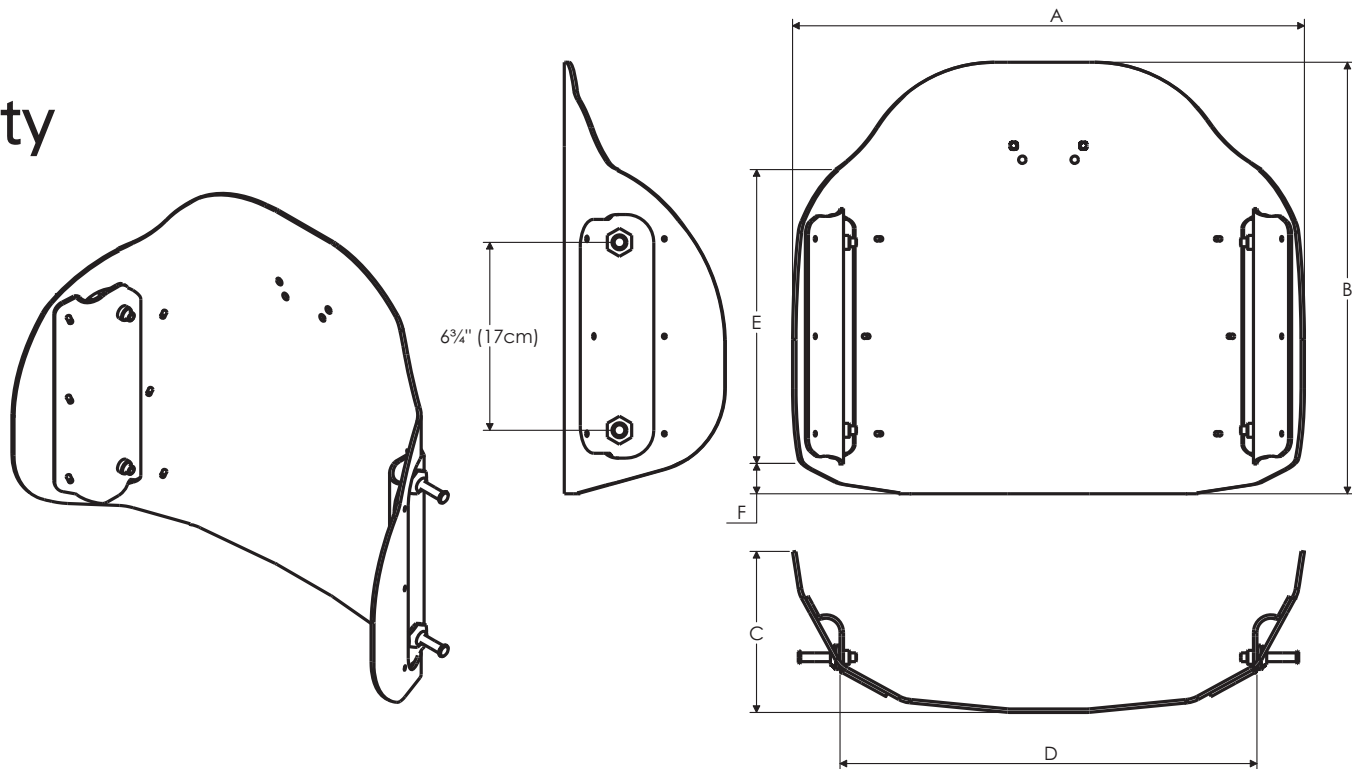


INVACARE®

Matrix® PB Heavy-Duty Back



MODEL NO.	A		B		C		D		E		F		TRUNK WIDTH		CUSHION		OVERALL WIDTH		OVERALL HEIGHT		OVERALL DEPTH		BACK WEIGHT	
	WITH CUSHION												WITH CUSHION		DEPTH		WITH CUSHION		WITH CUSHION		WITH CUSHION		(W/O HDWR)	
	in	cm	in	cm	in	cm	in	cm	in	cm	in	cm	in	cm	in	cm	in	cm	in	cm	in	cm	lbs	kgs
HD2016	18½	47	15½	39½	5¾	14½	15	38	10	26	1	2½	17½	44½	5	12½	20	51	16	41	7	18	5.6	2.5
HD2020	18½	47	19½	48½	5¾	14½	15	38	11	28	1	2½	17½	44½	5	12½	20	51	20	51	7	18	6.4	2.9
HD2216	20½	52	15½	39½	5¾	14½	17	43	10	26	1	2½	19½	49½	5	12½	22	56	16	41	7	18	6.0	2.7
HD2220	20½	52	19½	48½	5¾	14½	17	43	12	31	1	2½	19½	49½	5	12½	22	56	20	51	7	18	6.8	3.1
HD2416	22½	57	15½	39½	5¾	14½	19	48	10	26	1	2½	21½	55	5	12½	24	61	16	41	7	18	6.4	2.9
HD2420	22½	57	19½	48½	5¾	14½	19	48	13	33	1	2½	21½	55	5	12½	24	61	20	51	7	18	7.2	3.3
HD2616	24½	62	15½	39½	5¾	14½	21	53	10	26	1	2½	23½	59½	5	12½	26	66	16	41	7	18	6.8	3.1
HD2620	24½	62	19½	48½	5¾	14½	21	53	13	33	1	2½	23½	59½	5	12½	26	66	20	51	7	18	7.6	3.4
HD2816	26½	67	15½	39½	5¾	14½	23	58	10	26	1	2½	25½	65	5	12½	28	71	16	41	7	18	7.2	3.3
HD2820	26½	67	19½	48½	5¾	14½	23	58	13	33	1	2½	25½	65	5	12½	28	71	20	51	7	18	8.0	3.6
HD3016	28½	72	15½	39½	5¾	14½	25	63	10	26	1	2½	27½	70	5	12½	30	76	16	41	7	18	7.6	3.4
HD3020	28½	72	19½	48½	5¾	14½	25	63	13	33	1	2½	27½	70	5	12½	30	76	20	51	7	18	8.4	3.8